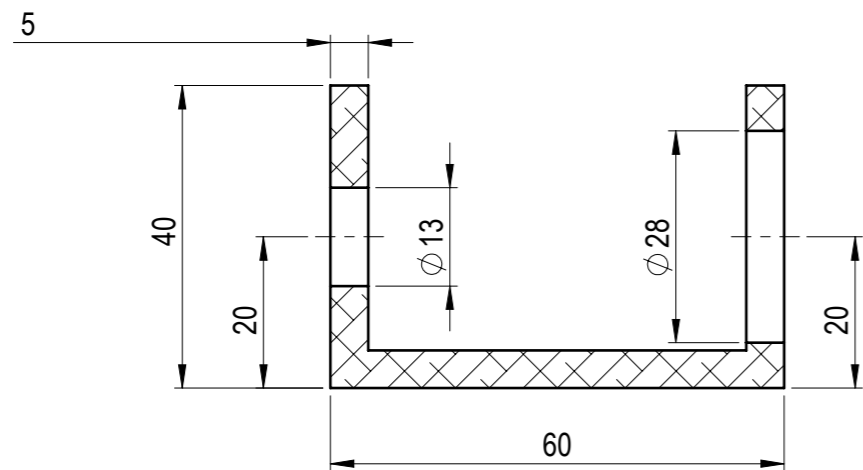


A-A  
SCALE: 1 : 1



RAW MATERIAL INFORMATION	
Profile size	U 40x60x40x5
Length, mm	996

<b>WEMPS</b> ENGINEERING SERVICES	MATERIAL	6060F22 T6	WEIGHT	1.690 Kg	DEBURR AND BREAK SHARP EDGES	REVISION	DATE	
	SURFACE PROTECTION	Anodizing ISO 7599:2010	MACHINING	ISO 2768 mK	THERMAL CUTTING	WELDING	SCALE	
				ISO 9013 441	ISO 13920 BF		FORMAT	
							A3	
	NAME	SIGNATURE	PART NO.				105-21203-01	
Designed by	D. Dislers		DESCRIPTION				Aluminum U-profile 4	
Drawn by	D. Dislers						SHEET 1/1	
Technical ref.								